

DEUBLIN[®]

Engineered for Performance

www.sifer.com.co



Rotating Unions
STEEL INDUSTRY

www.deublin.com

DEUBLIN KEEPS THE WORLD ROTATING



Since 1945, Deublin has grown from a small garage shop to the world's largest manufacturer of rotating unions. Today, Deublin's international headquarters is located in Waukegan, Illinois, with manufacturing facilities, sales offices and warehouses located in 17 countries on four continents.

Our worldwide distribution network allows end users all over the world to specify Deublin unions when purchasing equipment made in another country. We're manufacturers ourselves, so we understand the importance of fast response time to keep your manufacturing process rolling. Wherever you're located, Deublin has a stocking distributor nearby to meet your requirements—quickly.



UNIQUE REQUIREMENTS DEMAND CUSTOM UNIONS

Rotating unions must accommodate a broad range of materials, viscosities, temperatures, pressures and speeds. That's why the Deublin product line offers over 500 standard unions, over 3,000 separate models.

Even this extensive line cannot meet all the specialized needs required by our customers. That's why we manufacture an ever-growing line of custom unions to meet individual manufacturers' particular requirements. In many instances, we can adapt or convert an existing union and offer a cost-effective solution to meet your exact specifications.



ROTATING UNIONS FOR STEEL INDUSTRY

Deublin has been the world's largest manufacturer of rotating unions for the general industry for over 65 years and specialty unions for the continuous casting industry for over 45 years. Deublin has worked closely with designers and users of continuous casting equipment and as a result, has developed a number of solutions to the unique requirements of continuous casting applications.

Rotating unions are used to transmit cooling water in and out of the rolls of caster segments and, therefore, are critical components of every continuous casting machine (CCM). Rotating union performance can often make the difference between a productive operation or a casting operation with frequent downtime, maintenance, and repair.

A rotating union is composed of 3 parts — a housing that turns with the caster roll, a stationary hollow sleeve that connects the water supply and return and a balanced mechanical seal that acts as a leak-proof rotating connection. The critical component is the mechanical seal.

Deublin unions have **balanced mechanical seals** with seal faces that are micro lapped to an optical flatness of better than 2 light bands. The seal faces are made of silicon carbide to provide the ultimate wear resistance in harsh and abrasive environments. While Deublin's standard unions have a one-year warranty — the 2400 Series, due to its robust design and advanced technology, is offered with a **two-year warranty**.

In today's very competitive environment, Deublin unions can help you reduce maintenance costs and enjoy the profitability of longer, high tonnage campaigns.

Deublin also offers **rebuilding and exchange programs** that can be designed to complement your section-rebuilding schedule. This assures you of always having a dependable quality union at a fraction of the cost of a new union. Deublin 55 Series unions for Tunnel Furnace applications are featured in our Standard Union Catalog.

Quality Credentials

Deublin pursues its design and manufacturing missions with a passionate belief in the premise that quality is designed-in, not inspected in — a philosophy that is at the heart of its independently registered ISO 9001 compliant Quality Management System. This recognition offers assurance that our customers' end-use environment, performance requirements and reliability expectations are always captured and expressed in our product designs, as well as at every stage of development and manufacture. It means that "lessons learned" in hundreds of product applications are projected forward into continual improvement of both our product and processes. Our ISO 9001 recognition is therefore simply more evidence of Deublin's unmatched reputation for customer satisfaction and product quality.

In addition, Deublin is certified as an Authorized Economic Operator (AEO), which provides assurance that Deublin's supply chain is approved as both secure and customs-reliable. This recognition fast-tracks the flow of goods and materials worldwide — a customer service advantage for all of our supply chain partners.

MANUFACTURING PROCESS

Foundry/Casting



Hot Rolled

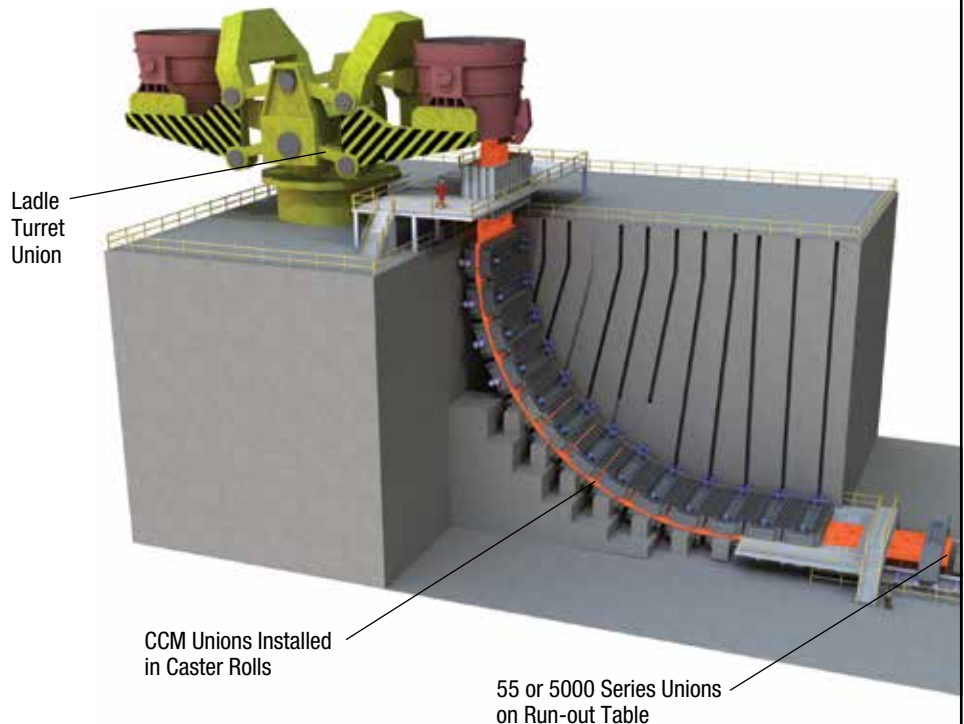


Cold Rolled

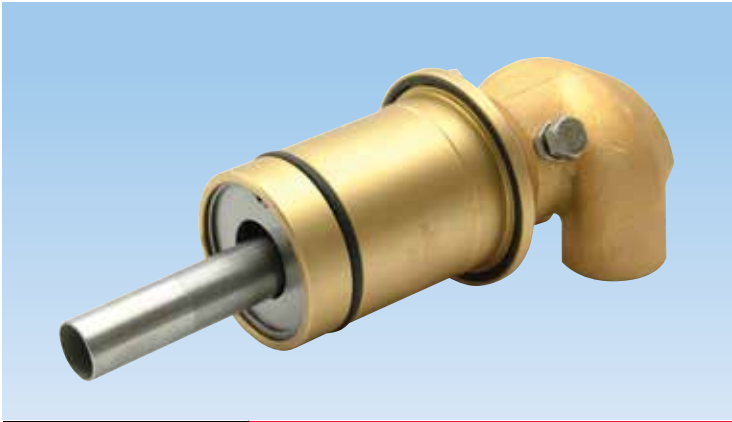


Finishing

STEEL CONTINUOUS CASTING MACHINE



ROTATING UNIONS FOR CONTINUOUS CASTING

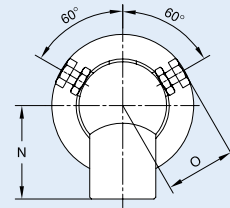
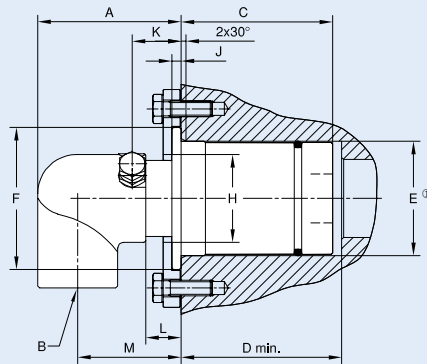


DEUBLIN 2400 Series Rotating Union

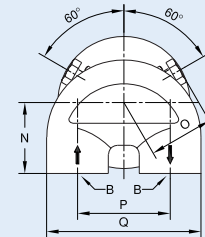
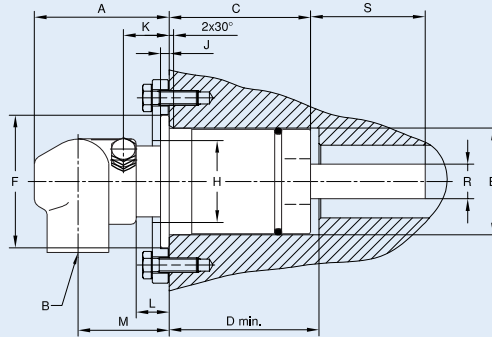
- monoflow and duoflow design
- in-the-shaft mounted
- self-supported rotating union
- flanged housing or mounted with retaining plate
- balanced mechanical seal
- seal combination:
Silicon Carbide/Silicon Carbide
- brass housing and elbow
- stainless steel rotor and supply pipe
- engineered sleeve bearing
- full-media flow
- easily field repairable

OPERATING DATA	2400 SERIES	
Max. Pressure	150 PSI	10 bar
Max. Speed	100 RPM	100/min
Max. Temperature	250°F	120°C

Monoflow Rotating Union



Duoflow Rotating Union



	B Port	Ordering Number	A	C	D*	E Ø*	F Ø	H Ø	J	K	L	M	N	O	P	Q	R Ø	S	Shpg. Wt.
Monoflow	3/4" NPT	2420-001-125	2 ²¹ / ₆₄ "	2 ³ / ₈ "	2 ⁷ / ₁₆ "	1.825 1.815	2 ⁵ / ₁₆ "	1 ¹⁵ / ₁₆ "	3/16"	1 ¹ / ₃₂ "	3/4"	1 ² / ₃₂ "	1 ¹³ / ₁₆ "	1 ⁷ / ₁₆ "	-	-	-	-	1 ¹ / ₂ #
	G3/4" (BSP)	2420-001-139	59	60	62	46.35 46.10	59	49	5	26	19	42	46	36	-	-	-	-	.7 Kg
	1" NPT	2425-001-281	2 ¹⁵ / ₁₆ "	3 ¹ / ₁₆ "	3 ³ / ₄ "	2.323 2.313	2 ⁷ / ₈ "	1 ¹ / ₁₆ "	3/16"	1 ¹ / ₃₂ "	3/4"	2 ¹ / ₈ "	1 ¹³ / ₁₆ "	1 ¹ / ₁₆ "	-	-	-	-	3 ¹ / ₂ #
	G1" (BSP)	2425-001-172	75	78	83	59.00 58.75	73	36	5	26	19	54	46	39	-	-	-	-	1.6 Kg
Duoflow	3/4" NPT	2420-001-135-180	2 ¹⁵ / ₁₆ "	2 ³ / ₈ "	2 ⁷ / ₁₆ "	1.825 1.815	2 ⁵ / ₁₆ "	1 ¹⁵ / ₁₆ "	3/16"	1 ¹ / ₃₂ "	3/4"	2"	1 ¹⁷ / ₃₂ "	1 ⁷ / ₁₆ "	2"	3 ¹¹ / ₃₂ "	.511 .510	1 ¹ / ₁₆ "	2#
	G3/4" (BSP)	2420-001-141-180	75	60	62	46.35 46.10	59	49	5	26	19	51	39	36	51	85	13.00 12.95	49	.9 Kg
	3/4" NPT	2425-001-283-180	2 ¹⁵ / ₁₆ "	3 ¹ / ₁₆ "	3 ³ / ₄ "	2.323 2.313	2 ⁷ / ₈ "	1 ¹ / ₁₆ "	3/16"	1 ¹ / ₃₂ "	3/4"	2"	1 ¹⁷ / ₃₂ "	1 ¹ / ₁₆ "	2"	3 ¹¹ / ₃₂ "	.748 .746	2 ¹ / ₂ "	4#
	G3/4" (BSP)	2425-001-177-180	75	78	83	59.00 58.75	73	36	5	26	19	51	39	39	51	85	19.00 18.94	63.5	1.8 Kg
	1" NPT	2440-001-301-254	3 ⁷ / ₈ "	3 ³ / ₁₆ "	3 ¹¹ / ₁₆ "	2.805 2.795	3 ³ / ₈ "	2"	3/16"	1 ¹ / ₃₂ "	3/4"	2 ¹ / ₁₆ "	1 ¹ / ₁₆ "	1 ¹³ / ₁₆ "	2 ¹ / ₂ "	4 ⁷ / ₈ "	1.130 1.125	1 ⁷ / ₈ "	9#
G1" (BSP)	2440-001-306-254	98	87	94	71.25 71.00	86	51	5	26	19	68	43	46	64	105	28.70 28.58	48	4 Kg	

*Denotes Shaft Dimension

BEARINGLESS UNIONS FOR **CONTINUOUS CASTING**

Deublin Bearingless Technology

Conventional unions are dependent on bearings for support and smooth low torque rotation. However, bearings inherently have limitations, one of which is premature failure as a result of side loading from piping connections. Deublin has adapted this bearingless technology to CCM applications with proven in-the-field success. Call our Engineering Department for complete details and specifications.

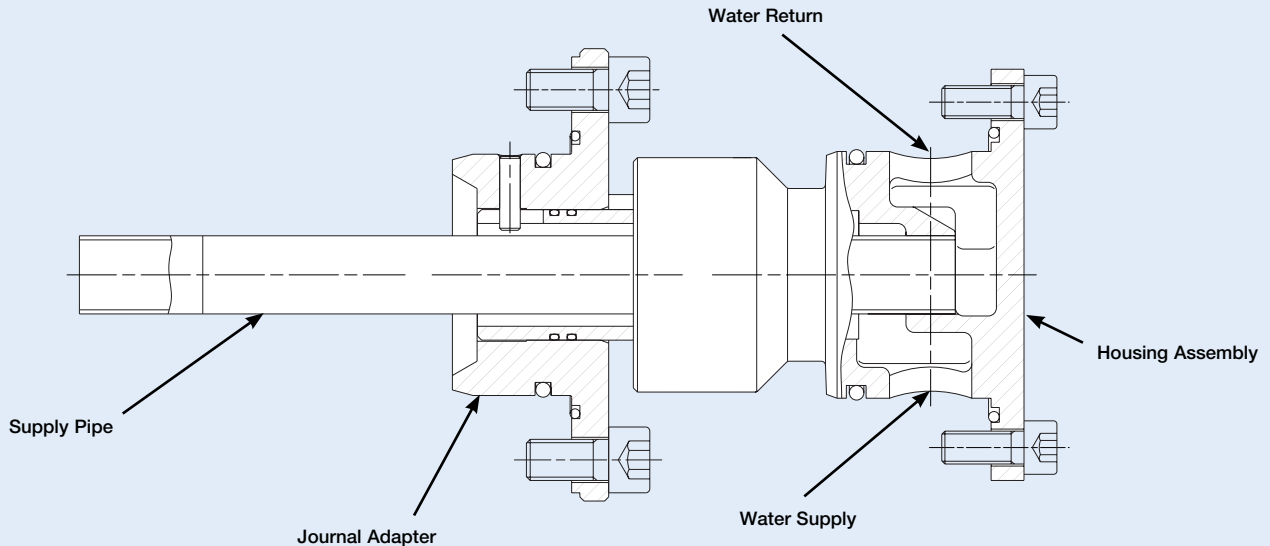


DEUBLIN Bearingless CCM Union

- monoflow and duoflow design
- in-the-shaft mounted
- flanged housing or mounted with retaining plate
- balanced mechanical seal
- seal combination:
Silicon Carbide/Silicon Carbide
- brass housing and elbow
- stainless steel rotor and supply pipe
- full-media flow
- easily field repairable
- no internal bearing

OPERATING DATA	BEARINGLESS CCM UNION	
Max. Pressure	150 PSI	10 bar
Max. Speed	100 RPM	100/min
Max. Temperature	250°F	120°C

Bearingless Duoflow Union



ROTATING UNIONS FOR CONTINUOUS CASTING

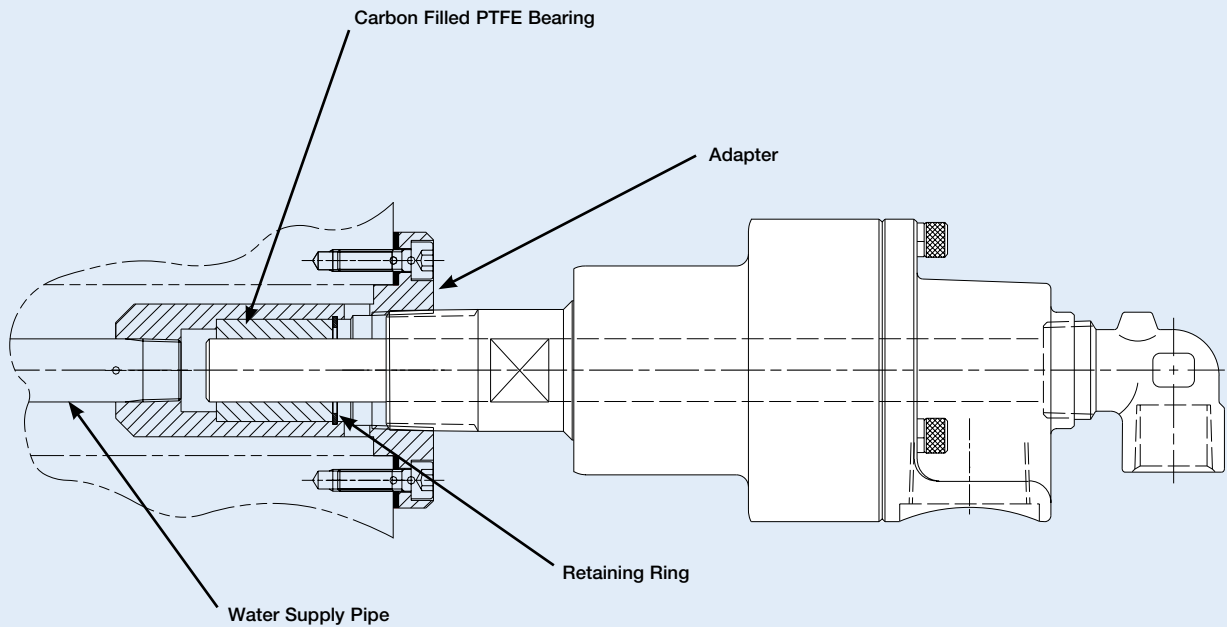


DEUBLIN 5000 Series Rotating Union

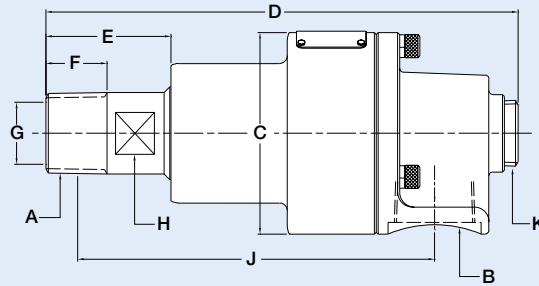
- monoflow and duoflow design
- externally mounted
- self-supported rotating union
- radial housing connection
- balanced mechanical seal
- seal combination - standard:
Carbon Graphite/Silicon Carbide
- keyed rotor seal
- cast iron body/brass end-cap
- stainless steel rotor ($3/4$ " - $1\frac{1}{2}$ ")
- engineered sleeve bearing
- easily field repairable
- special options:
threaded vent holes

OPERATING DATA	5000 SERIES	
Max. Pressure	150 PSI	10 bar
Max. Speed	100 RPM	100/min
Max. Temperature	250°F	120°C

Duoflow Rotating Union



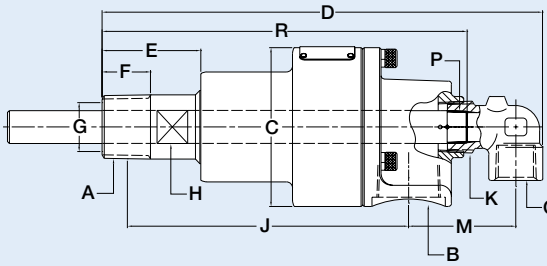
Adapter for Outboard Mounted Unions



Monoflow

	B Port	Ordering Number	A Rotor Thread*	CØ	D	E	F	G Rotor Hole	H	J	K NPT	M	O NPT	P	Q Turn Ø	R	S	Shpg. Wt.	
Monoflow	3/4" NPT	5075-001-101	3/4" (NPT) RH	2 5/8"	5 7/8"	1 1/2"	7/8"	1 1/16"	1 1/4"	4 1/2"	-	-	-	-	-	-	-	3 1/2#	
		5075-001-102	3/4" (NPT) LH																
		5075-001-117	G 3/4" (BSP) RH	67	150	38	19	17	32	105	-	-	-	-	-	-	-	-	1,6 Kg
		5075-001-118	G 3/4" (BSP) LH																
	1" NPT	5100-060-160	1" (NPT) RH	3 3/4"	7 7/8"	1 3/4"	3/4"	1"	1 1/8"	5 1/2"	3/4"	-	-	-	-	-	-	-	6#
		5100-060-161	1" (NPT) LH																
		5100-060-171	G 1" (BSP) RH	82	187	44	21,5	25,4	28	128	3/4"	-	-	-	-	-	-	-	2,8 Kg
		5100-060-172	G 1" (BSP) LH																
	1 1/2" NPT	5150-001-117	1 1/2" (NPT) RH	4 1/4"	9 7/8"	2 7/16"	1 1/16"	1 1/2"	1 3/4"	7 7/16"	1 1/4"	-	-	-	-	-	-	-	12#
		5150-001-118	1 1/2" (NPT) LH																
		5150-001-156	G 1 1/2" (BSP) RH	108	238	62	29	38	44	174	1 1/4"	-	-	-	-	-	-	-	5,6 Kg
		5150-001-157	G 1 1/2" (BSP) LH																

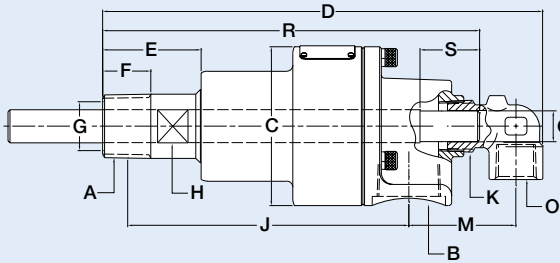
*Female Thread also available



Duoflow-Fixed Supply Pipe

	B Port	Ordering Number	A Rotor Thread*	CØ	D	E	F	G Rotor Hole	H	J	K NPT	M	O NPT	P	Q Turn Ø	R	S	Shpg. Wt.	
Duoflow-Fixed Supply Pipe	1" NPT	5100-060-160-083	1" (NPT) RH	3 3/4"	8 7/8"	1 3/4"	3/4"	1"	1 1/8"	5 1/2"	3/4"	2 3/16"	1/2"	3/8" N.P.T.	-	7 7/8"	-	6#	
		5100-060-161-083	1" (NPT) LH																
		5100-060-171-255	G 1" (BSP) RH	82	225	44	21,5	25,4	28	128	3/4"	55	1/2"	G 3/8" (BSP)	-	183	-	2,8 Kg	
		5100-060-172-255	G 1" (BSP) LH																
	1 1/2" NPT	5150-001-117-013	1 1/2" (NPT) RH	4 1/4"	11 1/16"	2 7/16"	1 1/16"	1 1/2"	1 3/4"	7 1/16"	1 1/4"	2 15/16"	3/4"	3/4" N.P.T.	-	9 13/16"	-	12#	
		5150-001-118-013	1 1/2" (NPT) LH																
		5150-001-156-221	G 1 1/2" (BSP) RH	108	287	62	29	38	44	174	1 1/4"	75	3/4"	G 3/4" (BSP)	-	241	-	5,6 Kg	
		5150-001-157-221	G 1 1/2" (BSP) LH																

*Female Thread also available



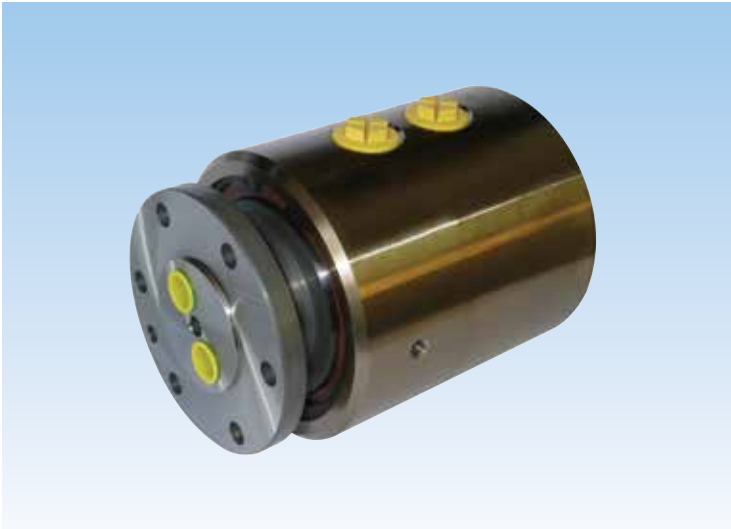
Duoflow-Rotating Supply Pipe

	B Port	Ordering Number	A Rotor Thread*	CØ	D	E	F	G Rotor Hole	H	J	K NPT	M	O NPT	P	Q Turn Ø	R	S	Shpg. Wt.	
Duoflow-Rotating Supply Pipe	1" NPT	5100-060-160-163	1" (NPT) RH	3 3/4"	8 7/8"	1 3/4"	3/4"	1"	1 1/8"	5 1/2"	3/4"	2 3/16"	1/2"	-	.621" .619"	7 7/8"	1 1/4"	6#	
		5100-060-161-163	1" (NPT) LH																
		5100-060-171-347	G 1" (BSP) RH	82	225	44	21,5	25,4	28	128	3/4"	55	1/2"	-	15,95 15,90	196	31	2,8 Kg	
		5100-060-172-347	G 1" (BSP) LH																
	1 1/2" NPT	5150-001-117-144	1 1/2" (NPT) RH	4 1/4"	11 1/16"	2 7/16"	1 1/16"	1 1/2"	1 3/4"	7 1/16"	1 1/4"	2 15/16"	3/4"	-	1.000" .998"	9 5/16"	1 3/4"	12#	
		5150-001-118-144	1 1/2" (NPT) LH																
		5150-001-156-468	G 1 1/2" (BSP) RH	108	287	62	29	38	44	174	1 1/4"	75	3/4"	-	25,91 25,81	263	44	5,6 Kg	
		5150-001-157-468	G 1 1/2" (BSP) LH																

*Female Thread also available

ROTATING UNIONS FOR STEEL COIL WINDING

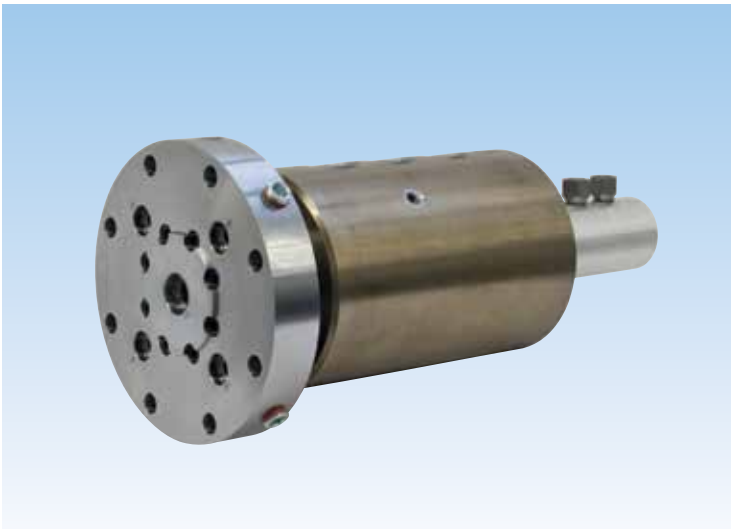
Typical Examples



2-Passage Rotating Union with Hydrostatic Seal

- for clamping-unclamping applications at steel-strip winders

OPERATING DATA	7100-535	
Max. Pressure	5,075 PSI	350 bar
Max. Speed	100 RPM	100/min
Max. Temperature	205°F	95°C



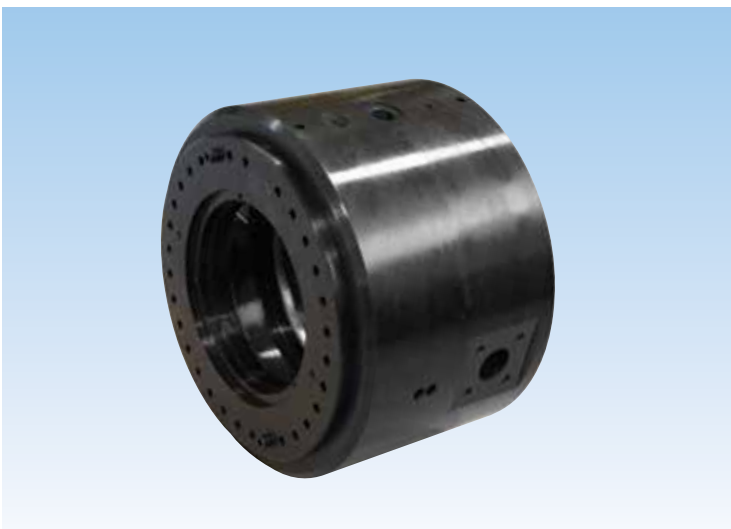
3-Passage Rotating Union with Hydrostatic Seal

- for spraying-clamping-unclamping applications at steel-strip winders

In combination with SP0077 (2-Passage)

- grease is supplied to the winding mandrel to lubricate the moving elements of the winder

OPERATING DATA	7100-1010		SP0077	
Media	Hydraulic		Grease	
Max. Pressure	1,450 PSI	100 bar	5,800 PSI	400 bar
Max. Speed	450 RPM	450/min	600 RPM	600/min
Max. Temperature	160 °F	70 °C	160 °F	70 °C



2-Passage Rotating Union with Mechanical Seal – for Around-the-Shaft Application

- for clamping-unclamping applications at steel-strip winders

In combination with SP0077 (2-Passage)

- grease is supplied to the winding mandrel to lubricate the moving elements of the winder

OPERATING DATA	SP0283		SP0077	
Media	Hydraulic		Grease	
Max. Pressure	2,610 PSI	180 bar	5,800 PSI	400 bar
Max. Speed	800 RPM	800/min	600 RPM	600/min
Max. Temperature	160 °F	70 °C	160 °F	70 °C

Other Models Available

UNIONS FOR LADLE TURRETS



Ladle Turret Union

- Ladle turrets require complex, heavy-duty multi-passage unions that support the hydraulic lifting of the ladle for each pour of molten metal. Deublin Ladle Turret Unions accommodate multiple media including hydraulic oil, argon, air and water.
- Typical number of ports: up to 26.

OPERATING DATA	LADLE TURRET							
	Hydraulic Oil		Argon		Air		Water	
Max. Pressure	3,625 PSI	250 bar	150 PSI	10 bar	150 PSI	10 bar	300 PSI	20 bar
Max. Speed	20 RPM	20/min	20 RPM	20/min	20 RPM	20/min	20 RPM	20/min
Max. Temperature	250°F	120°C	250°F	120°C	250°F	120°C	250°F	120°C

PLANE & SELF-ALIGNING SWIVEL JOINTS



Plane Swivel Joints

- Handles 360° single & multi-plane swivel movement with positive sealing
- Available in 1" through 6" sizes in threaded, welded or flanged styles
- Available in three seal materials that are compatible with many gasses, fluid & chemicals
- Spring energized seals offer leak-tight sealing at all pressures, including vacuum
- Seal can be replaced without removing bearings



Self-Aligning Swivel Joints

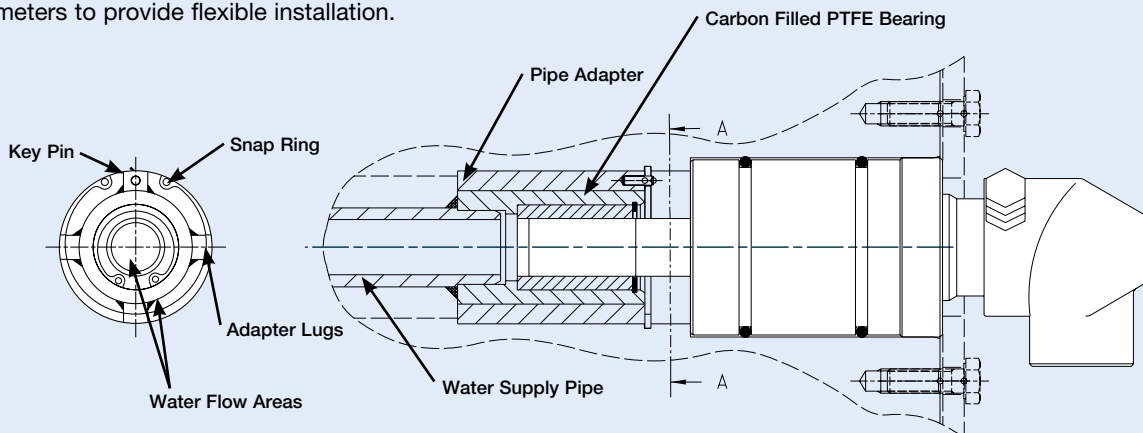
- Handles 360° rotary and 10° angular alignment motion with positive sealing
- Conveys hot and cold water, alternating steam and water and heat transfer fluids
- Eliminate the hazards of leaking pipe connections or catastrophic hose failures
- Outperforms and outlasts flexible hose with lower pressure drops

INSTALLATION INSTRUCTIONS

PROPER MOUNTING ENSURES LONGER UNION LIFE

Flexible hose must be used to connect the rotating union to its supply and return lines. Flexible hose ensures less side load and wear on the bearing surfaces of the union. Rigid piping should not be used. The hose should connect directly to the union, if possible, by way of a live swivel that will eliminate any torsional stress from the pressurized hose. The table shows minimum recommended lengths for the different hose diameters to provide flexible installation.

HOSE DIAMETER	HOSE LENGTH	
	INCHES	mm
1/2"	12	305
3/4"	14	355
1"	16	405
1 1/4"	18	460
1 1/2"	20	510

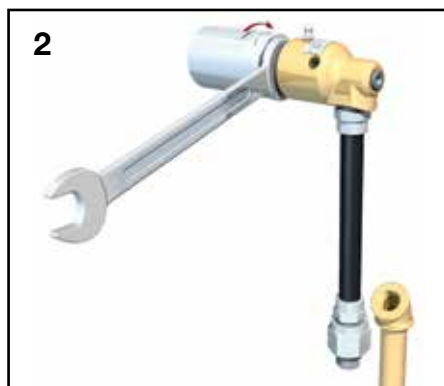


Adapter for "In-The-Shaft" Mounted Unions

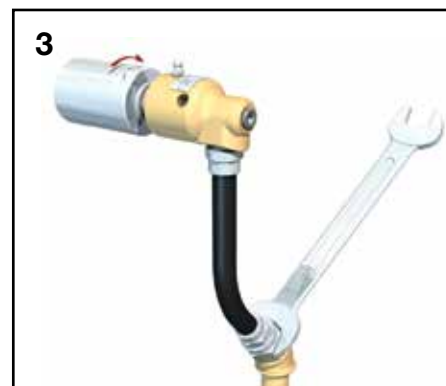
Flexible Hose Installation Instructions for Deublin Rotating Unions*



1 Mount housing in a bench vise and install hose.



2 Install rotating union into machine.



3 Connect flexible hose to supply line.

*Consult Deublin website for installation instructions for Bearingless 2400 Unions.

WARNING

DEUBLIN unions should not be used to convey flammable media (flash point $\leq 140^{\circ}\text{F}$ or 60°C) as leakage may result in explosions or fires. DEUBLIN unions should be used in accordance with standard safety guidelines for the media, and in a well-ventilated area. The use of our product on hazardous or corrosive media is strictly forbidden.

Deublin Rotating Unions General Catalog

From the world leader in rotating unions, the Deublin general engineering catalog provides application information and specifications for over 500 standard unions and 3000 models used with a broad range of materials, viscosities, temperatures, pressures and speeds. Deublin unions accommodate water, steam, hot oil, coolant and air for thousands of manufacturing, equipment and process applications. Custom unions are also available to address specific requirements.



Deublin Rotating Unions for Machine Tool

Whether CNC machining centers or automotive transfer lines, Deublin offers the broadest range of rotating union solutions for continuous through-the-spindle coolant applications. State-of-the-art features include silicon carbide seals, and dry running capability with or without pressure.



Deublin Steam Joints and Siphon Systems for the Paper Industry

Deublin has a complete line of steam inducing and condensate removal products designed specifically for the paper industry. These products are contained in a dedicated catalog. This line features the revolutionary FS Series Steam Joint with the Deltasint Stationary Siphon System designed and proven for today's high-speed paper machine's dryer sections.



Deublin Wind Energy Brochure

Deublin manufactures a complete line of high pressure hydraulic unions for wind energy applications. Available in configurations ranging from monoflow to four passage designs, with central passages for cable connection to electrical slip rings. Durability features such as water resistant construction and hardened stainless steel rotors provide unparalleled lifecycle reliability over millions of cycles.



Deublin Slip Ring Brochure

Deublin is a leader in the manufacturing of electrical slip rings, and complete slip ring/rotary union combinations for use in a variety of applications including wind turbines, robotics, centrifuges, milling, plastic molding, semiconductor and more. Custom slip rings can be designed to address such challenges as RF shielding, mixed signal handling, high frequency impedance matching, reduced temperature generation, and miniaturization.





Since its establishment in 1945, Deublin has consistently adhered to a policy of producing the best product of its kind in the market. The result of this policy has been constant growth through the years. For this progress we are grateful to our many loyal customers. We cordially invite you to visit our modern manufacturing facilities in Waukegan, Illinois; Hofheim, Germany; Monteveglio, Italy; and Dalian, China.

Sincerely,

Donald L. Deubler
Chairman of the Board



Global Headquarters in Waukegan, Illinois, U.S.A.



Hofheim, Germany



Monteveglio, Italy



Dalian, China



Deublin products & services are available throughout the world.

www.deublin.com

AMERICAS

DEUBLIN USA

2050 Norman Drive
Waukegan, IL 60085-6747 U.S.A.
Phone: +1 847 689-8600
Fax: +1 847 689-8690
e-mail: customerservice@deublin.com

DEUBLIN Brazil

Rua Fagundes de Oliveira, 538 - A11 - Piraporinha
CEP: 09950-300 - Diadema - SP - Brazil
Phone: +55 11-2455-3245
Fax: +55 11-2455-2358
e-mail: deublinbrasil@deublinbrasil.com.br

DEUBLIN Canada

3090 Boul. Le Carrefour, Suite 505
Laval, Québec H7T 2J7 Canada
Phone: +1 514 745-4100
Fax: +1 514 745-8612
e-mail: customerservice@deublin.com

DEUBLIN Mexico

Norte 79-A No. 77, Col. Claveria
02080 Mexico, D.F.
Phone: +52 55-5342-0362
Fax: +52 55-5342-0157
e-mail: deublin@prodigy.net.mx

ASIA

DEUBLIN China

No. 2, 7th Street, DD Port,
Economic Development Zone, Dalian,
Liaoning Province, 116620, P.R. China
Phone: +86 411-87549678
Fax: +86 411-87549679
e-mail: info@deublin.cn

Room15A07, Wangjiao Plaza
No.175 East Yan'an Road, Huangpu District
Shanghai, 200041, P.R. China
Phone: +86 21-52980791
Fax: +86 21-52980790
e-mail: service@deublin.cn

DEUBLIN Asia Pacific

51 Goldhill Plaza, #11-11/12
Singapore 308900
Phone: +65 6259-9225
Fax: +65 6259-9723
e-mail: deublin@singnet.com.sg

DEUBLIN Japan

2-13-1, Minamihanayashiki
Kawanishi City 666-0026, Japan
Phone: +81 72-757-0099
Fax: +81 72-757-0120
e-mail: customerservice@deublin-japan.co.jp
2-4-10-3F Ryogoku
Sumida-Ku, Tokyo 130-0026, Japan
Phone: +81 35-625-0777
Fax: +81 35-625-0888
e-mail: customerservice@deublin-japan.co.jp

DEUBLIN Korea

Star Tower #1003, Sangdaewon-dong 223-25,
Jungwon-gu, Seongnam-si, Gyeonggi-do,
South Korea
Phone: +82-31-8018-5777
Fax: +82-31-8018-5780
e-mail: customerservice@deublin.co.kr

EUROPE

DEUBLIN Germany

Florenz - Allee 1
55129 Mainz, Germany
Phone: +49 6131-4998-0
Fax: +49 6131-4998-109
e-mail: info@deublin.de

DEUBLIN Italy

Via Guido Rossa, 9
40053 Comune di Valsamoggia (BO), Italy
Phone: +39 051-835611
Fax: +39 051-832091
e-mail: info@deublin.it

DEUBLIN Austria

Lainzer Strasse 35
1130 Vienna
Phone: +43 1-8768450
Fax: +43 1-876845030
e-mail: info@deublin.at

DEUBLIN France

61 bis, Avenue de l'Europe
Z.A.C de la Malnoue
77184 Emerainville, France
Phone: +33 1-64616161
Fax: +33 1-64616364
e-mail: service.client@deublin.fr

DEUBLIN Poland

ul. Kamienskigo 201-219
51-126 Wroclaw, Poland
Phone: +48 71-3528152
Fax: +48 71-3276278
e-mail: info@deublin.pl

DEUBLIN Russia

ul. Kosygina, 13, 5th entrance, 1-st floor
119334, Moscow, Russia
Phone: +7 495 647-14-34
Fax: +7 495 938-89-49
e-mail: info@deublinrussia.ru

DEUBLIN Spain

C/Lola Anglada, 20 local 1,
08228 Terrassa, Spain
Phone: +34 93-2211223
Fax: +34 93-2212093
e-mail: deublin@deublin.es

DEUBLIN Sweden

Cylindervägen 18, Box 1113
13 126 Nacka Strand, Sweden
Phone: +46 8 716 2033
Fax: +46 8 601 3033
e-mail: info@deublin.se

DEUBLIN United Kingdom

6 Sopwith Park, Royce Close,
West Portway
Andover SP10 3TS, UK
Phone: +44 1264-333355
Fax: +44 1264-333304
e-mail: info@deublin.co.uk